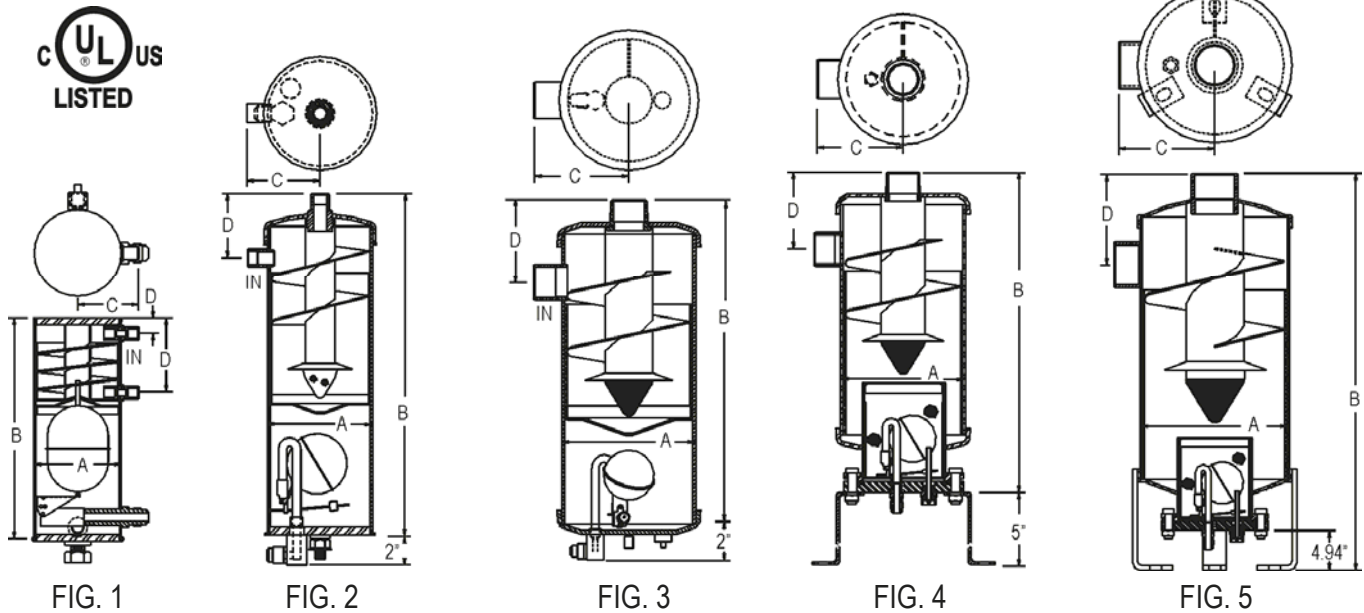


HELICAL OIL SEPARATORS



Catalog Number	Fig. No.	Size Conn. ODS	Dimensions in Inches					Capacity in Tons of Ref. at Evap. Temp. (Nominal)						Nom. DCFM	Pre-Charge Oil (oz)
			A	B	C	D		R-134a		R-22		R-404a/R-507			
						-40°F	+40°F	-40°F	+40°F	-40°F	+40°F				
S-5180	1	1/4"	2.5	6.38	1.75	0.44	2.12	0.40	0.50	0.55	0.60	0.50	0.60	0.5	14
S-5181	1	3/8"	2.5	7.5	1.75	0.5	3.25	0.90	1.00	1.20	1.40	1.00	1.20	1.1	14
S-5182	2	1/2"	4	13	2.75	2.44		1.30	1.50	1.80	2.00	1.50	1.90	1.7	14
S-5185	2	5/8"	4	15	2.75	2.5		2.40	2.90	3.60	4.00	3.00	3.70	3.4	14
S-5187	2	7/8"	4	17	3	2.94		4.70	5.70	6.80	7.60	5.70	7.00	6.5	14
S-5188	2	1 1/8"	4	19	3	3.06		8.00	9.50	11.40	12.70	9.30	11.50	10.7	14
S-5190	3	1 3/8"	6	15	4.25	3.69		11.60	13.90	16.40	18.40	13.60	16.40	15.5	40
S-5192	3	1 5/8"	6	17	4.25	3.95		16.40	19.10	22.90	25.60	18.60	22.90	21.4	40
S-5194	3	2 1/8"	6	17	4.38	4.19		24.90	29.40	35.40	39.10	28.60	35.40	33.0	40
S-5290	4	1 3/8"	6	15	4.25	3.69		11.60	13.90	16.40	18.40	13.60	16.40	15.5	25
S-5292	4	1 5/8"	6	17	4.25	3.95		16.40	19.10	22.90	25.60	18.60	22.90	21.4	25
S-5294	4	2 1/8"	6	17	4.38	4.19		24.90	29.40	35.40	39.10	28.60	35.40	33.0	25
S-5202	5	2 1/8"	8	24	5.38	5.06		29.40	35.00	41.80	46.60	34.30	42.10	39.2	25
S-5203	5	2 5/8"	10	27	6.5	5.63		48.60	58.10	70.10	78.10	58.10	71.60	66.6	25
S-5204	5	3 1/8"	12	30	7.75	6.45		71.60	85.10	102.60	114.60	85.10	105.10	97.6	25

DCFm & Tonnage Ratings revised for optimal oil separation and minimal pressure drop. Replacement components on page 9.

U.S. patents #5,113,671 #5,404,730 #5,271,245; Mexico 173552; Denmark, France, Great Britain, Italy 0 487 959; Germany P69106849.6-08; Taiwan UM-74863; & other U.S. & foreign patents pending. Standard 3/8" flare oil return connection & 1/8" FPT oil drain; 3/8" O.D.S. oil return connection available by ordering an "X" suffix (i.e. S-5292X). All the capacities shown are based on 105°F condensing. See page 4 for sizing instructions.

